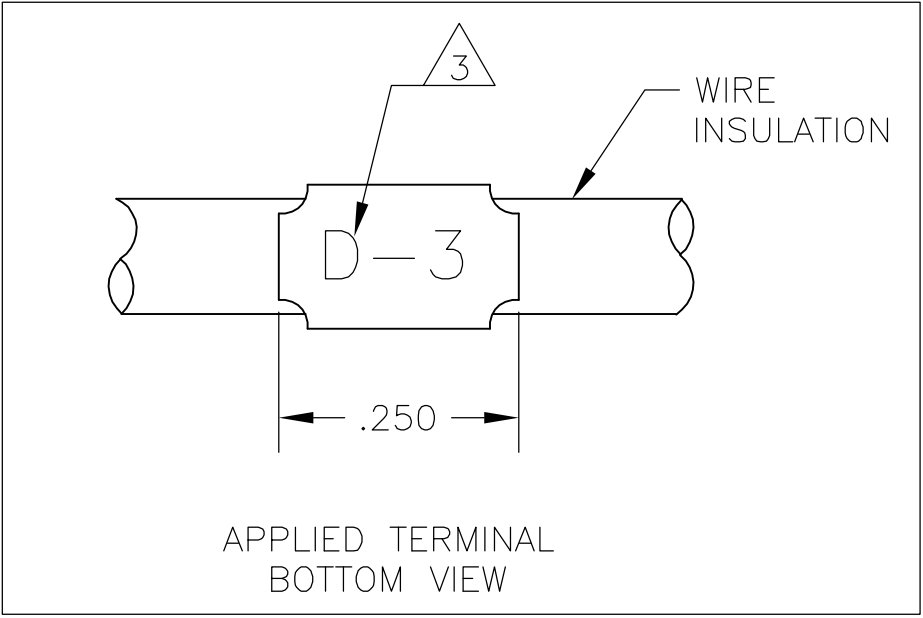
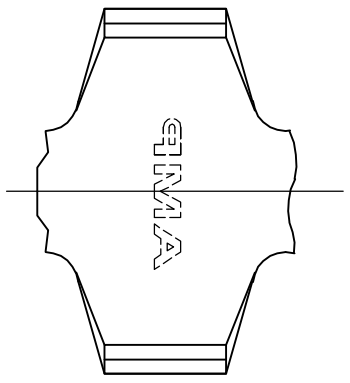
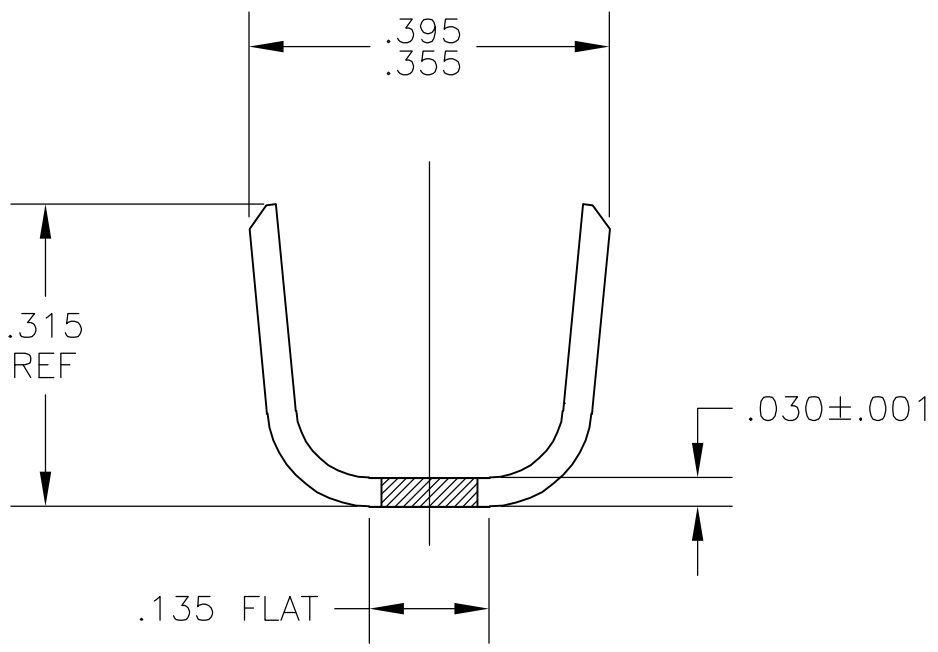
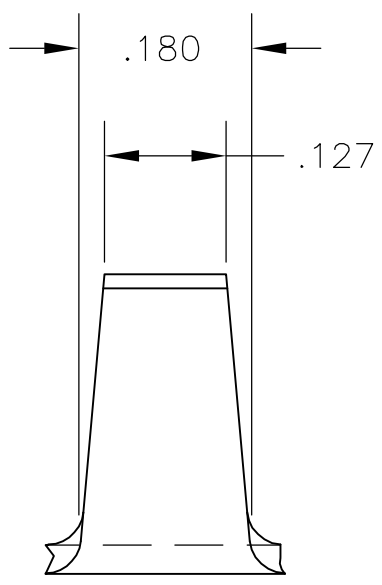


THIS DRAWING IS UNPUBLISHED. RELEASED FOR PUBLICATION
 © COPYRIGHT BY TYCO ELECTRONICS CORPORATION. ALL RIGHTS RESERVED.

LOC	DIST	REVISIONS			
P	LTR	DESCRIPTION	DATE	DWN	APVD
AF	50	A1	ECR-07-001426(REDRAWN IN AUTOCAD)	06DEC06	HMR GP



- 1 CONTINUOUS STRIP ON REELS.
- 2 INSULATION RANGE: .150 - .300 DIA.
- △3 POSITION OF CUSTOMER'S CODE NUMBER (1 OR 2 DIGITS OR LETTERS)



41282
PART NO

THIS DRAWING IS A CONTROLLED DOCUMENT.		DWN RAGHAVENDRA 06DEC06	Tyco Electronics Corporation Harrisburg, Pa 17105-3608														
DIMENSIONS: INCHES		CHK G.D.PORTA 04JAN07															
TOLERANCES UNLESS OTHERWISE SPECIFIED:		APVD G.D.PORTA 04JAN07	NAME														
<table border="0"> <tr><td>0 PLC</td><td>± -</td></tr> <tr><td>1 PLC</td><td>± -</td></tr> <tr><td>2 PLC</td><td>± -</td></tr> <tr><td>3 PLC</td><td>± .010</td></tr> <tr><td>4 PLC</td><td>± -</td></tr> <tr><td>ANGLES</td><td>± -</td></tr> </table>		0 PLC	± -	1 PLC	± -	2 PLC	± -	3 PLC	± .010	4 PLC	± -	ANGLES	± -	PRODUCT SPEC	IDENTIFICATION BAND		
0 PLC	± -																
1 PLC	± -																
2 PLC	± -																
3 PLC	± .010																
4 PLC	± -																
ANGLES	± -																
MATERIAL O82 BRASS		FINISH NONE	APPLICATION SPEC	SIZE A3	CAGE CODE 00779	DRAWING NO C-41282	RESTRICTED TO										
CUSTOMER DRAWING			WEIGHT -	SCALE 5:1	SHEET 1 OF 1	REV A1											